

MALLACOOTA FORESHORE HOLIDAY PARK SITE MAP

JETTY MOORINGS:
 J1: 59/60 J7: 79/80
 J2: 62/63 J8: 82/83
 J3: 65/66 J9: 85/86
 J4: 68/69 J10: 88/89
 J5: 71/72 J11: 91/92
 J6: 74/75 J12: 94/95



THESE MOORINGS ALLOW FOR TWO BOATS PER POLE, EG: 1A@1B 2A@2B (EXCEPT MOORING 29 WHICH COMPRISES B ONLY)



Map not to scale

KEY

- | | |
|-----------------------------------|-------------------------------------|
| Unpowered sites | Fish cleaning table |
| Powered sites | Tap |
| Waterfront sites (powered) | Gas cylinder |
| Waterfront sites (non-powered) | Rubbish disposal, waste and recycle |
| Barbecue | Water mains |
| Camp kitchen | Sullage Disposal Unit (SDP) |
| Toilet, shower and laundry blocks | Cassette RV accessible dump point |
| Baby change | Clearway |
| Fire hose reel | Electrical power box |
| Picnic area | Electrical power pole and cables |
| Playground | Jetties |
| Boat ramp | Public Jetty |
| Swimming | Mooring |



Mallacoota Foreshore ★★★ Holiday Park

Allan Drive, Mallacoota, VIC, Australia
 Phone: (03) 5158 0300 Fax: (03) 5158 0189
 After Hours Emergency On Call: 0400 025 399
 MallacootaCP@egipps.vic.gov.au

EMERGENCY EVACUATION PROCEDURES

Mallacoota Foreshore Holiday Park

Telephone: (03) 5158 0300

After Hours Emergency On Call: 0400 025 399

DURING AN EMERGENCY, THE AIR HORN WILL SOUND

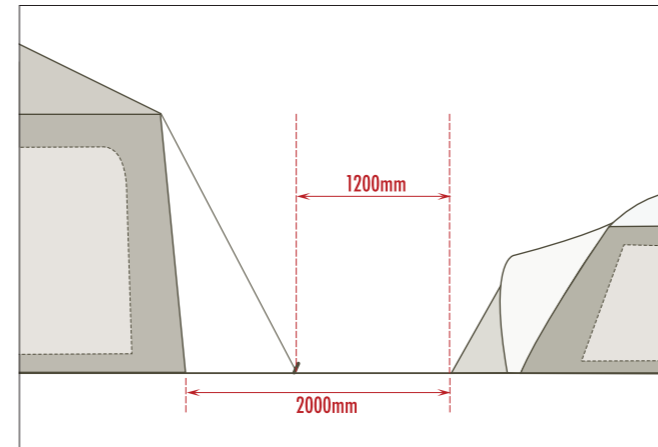
1. Assist persons in immediate danger – **ONLY IF SAFE TO DO SO**
2. Raise the alarm – Alert park staff and notify emergency services – **CALL 000**
3. Secure your valuables and close all windows, doors and hatches.
4. Turn off the power and gas to your site.
5. Gather your family. Collect any blankets, towels and drinking water.
6. Proceed to the designated assembly area.
7. Remain in the assembly area until told it is safe to leave.

DO NOT TRY TO MOVE YOUR CAR OR CARAVAN UNLESS INSTRUCTED TO DO SO

This may hinder emergency services.

EMERGENCY CONTACTS

Doctor – Mallacoota Medical Centre	5158 0777
Fire Brigade	000
Police – Mallacoota	000 or 5158 0280
Ambulance	000
Power – 24 hour emergency	13 17 99
SES – Mallacoota headquarters	5158 0839
SES – Storm damage	13 25 00
East Gippsland Water	1300 134 202
East Gippsland Shire Council	5153 9500
Gas – Emergency	1800 819 783
Hospital – Orbost	5154 6666
Poisons Information Centre	13 11 26
Eden Vet Clinic	(02) 6496 1252
Bega Hospital	(02) 6492 9111



SETTING UP YOUR SITE

It is important that your site is set up in accordance with Country Fire Authority regulations. These are put in place to ensure all sites are accessible to emergency services in the case of a fire.

IMPORTANT POINTS TO REMEMBER:

- 2000 mm between structure walls
- 1200 mm unobstructed at all times e.g. guide ropes

